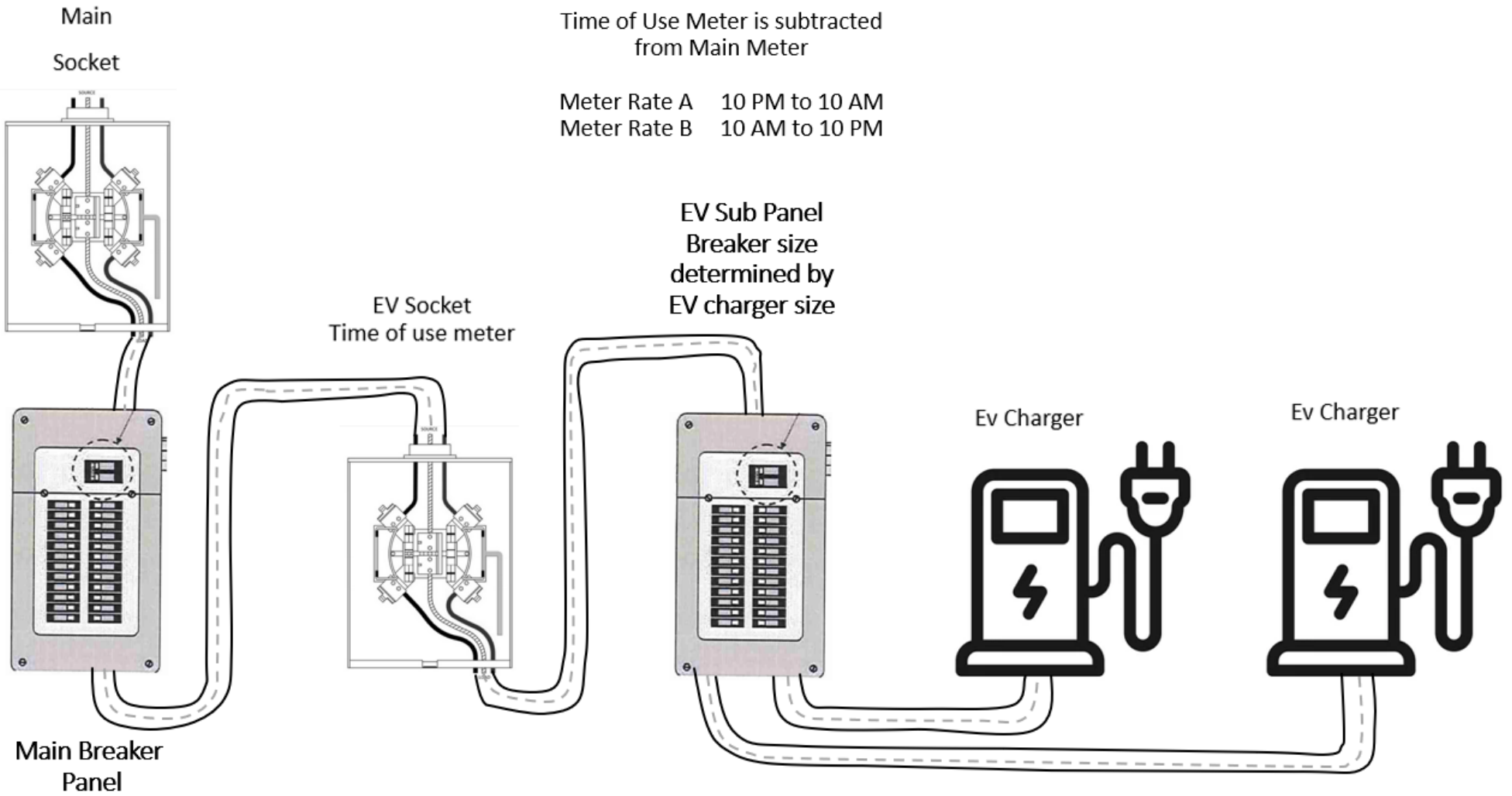


# NPUC Double EV Wiring Diagram

Time of Use Meter is subtracted from Main Meter

Meter Rate A 10 PM to 10 AM  
Meter Rate B 10 AM to 10 PM

EV Sub Panel  
Breaker size determined by EV charger size



Main Breaker Panel

EV Socket  
Time of use meter

Ev Charger

Ev Charger